

aquatica®

Function, Form & Fashion



Galaxy SQ-270

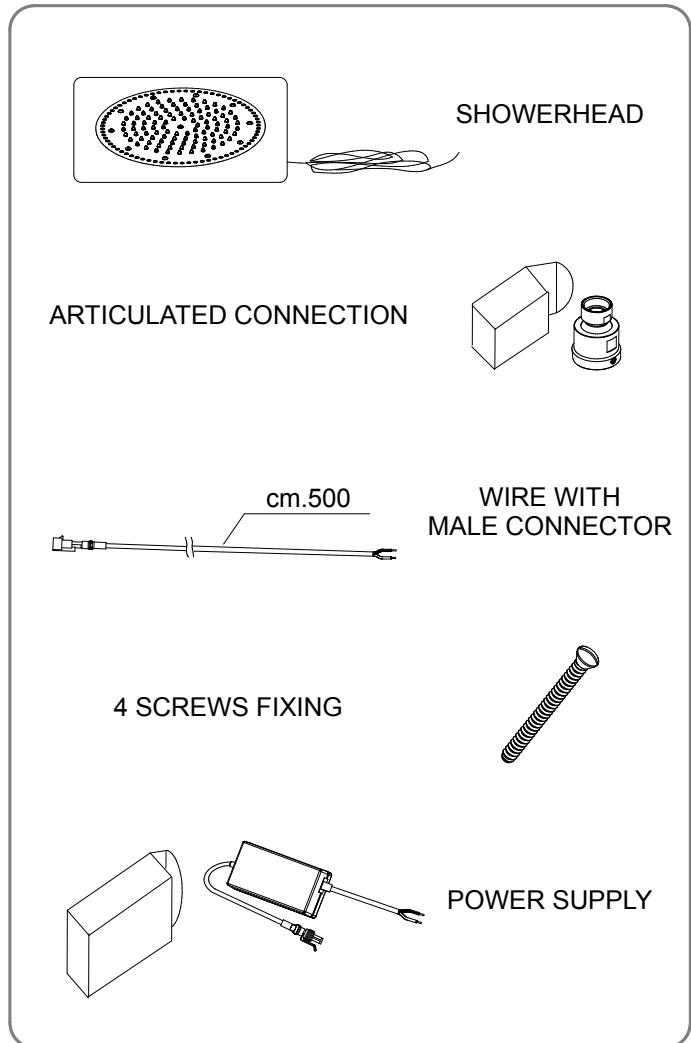
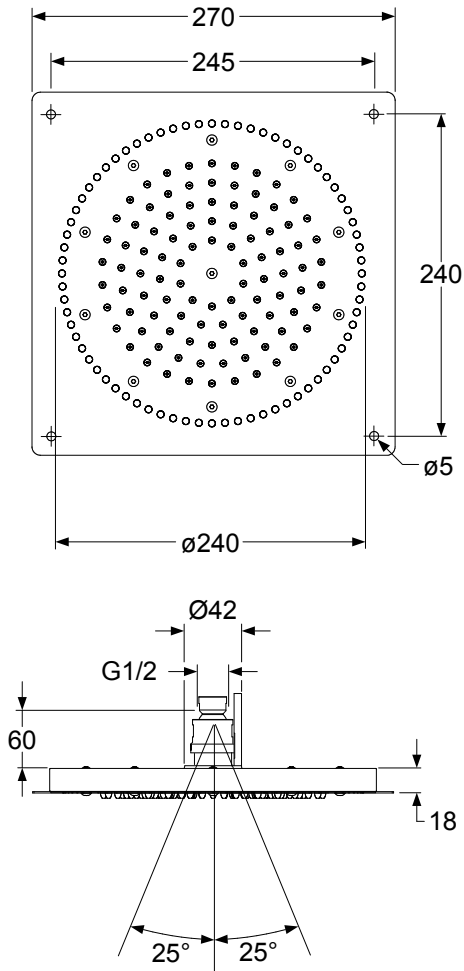
Built-In Shower Head

Installation & Care Manual
Europe / International

Galaxy SQ-270

Built-In Shower Head

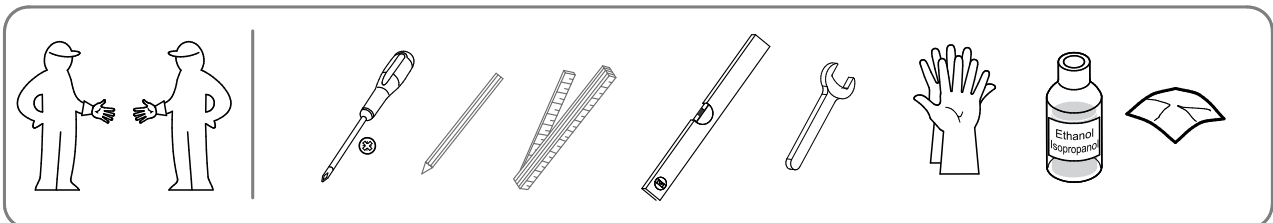
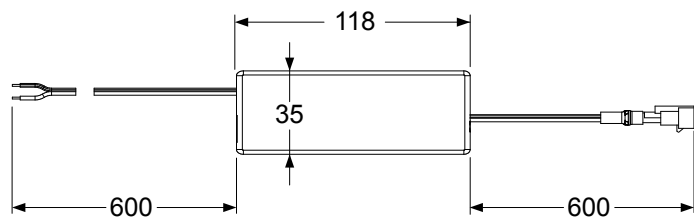
PARTS LIST



POWER SUPPLY

INPUT: ~ 100/240 V AC
~ 50/60 Hz 0.55 A

OUTPUT: 12 V 1.67 A 20W



Galaxy SQ-270

Built-In Shower Head

TECHNICAL FEATURES

aquatica®

Function, Form & Fashion

Pressure required: 0.5 - 5 bar
Limited flow rate: water consumption 15 l/min (1 bar=15 l/min)
Pipes connection: G 1/2"
Maximum absorbed power: MAX 9 Watt
Power supply: INPUT: ~ 100/240 V AC
~ 50/60 Hz 0.55 A
OUTPUT: 12 V 1.67 A - 20W

FLOW RESTRICTOR WORKING SCHEME RELATED TO WATER PRESSURE

ELECTRICAL SAFETY

- Installation must be performed by qualified and/or trained personnel.

The company declines all responsibility in the case that installation is performed by personnel that is not trained and/or qualified to carry out installation of this product.

- The responsibility for the choice of materials in relation to their utilisation, the correct execution of the work, the verification of the plant system to which the device will be connected as well as its suitability to guarantee safety, are the responsibility of the installer.

-The power supply plant must be efficient and conform to the legal provisions and to specific national regulations.

For connection to the electrical mains, a single pole breaker switch must be installed, to be placed in an area that respects safety provisions for bathroom areas.

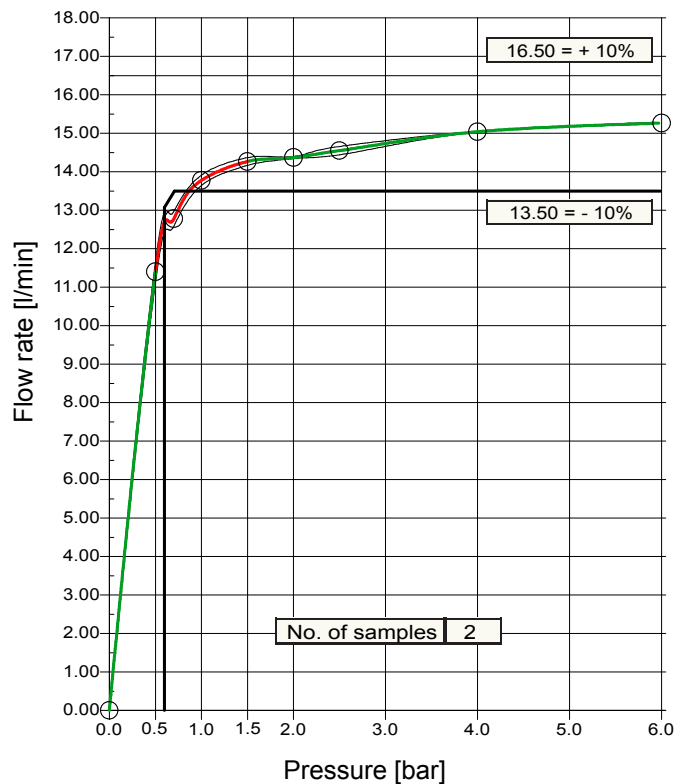
-This single pole, normalised breaker switch must guarantee an opening of the contacts of at least 3 mm, and be suitable for voltage of 220-240V and current up to 16 A.

- In bathrooms, the installation of electrical devices and equipment, such as switches, outlets, etc., must be in adherence to the law and the regulations of each country. In particular no electrical installation may be placed in the area directly adjacent to the shower stall for a distance of at least 60 cm and a height of 225 cm.

- The power supply electrical system must have a differential switch connected to it.

- Any damages caused by the lack of observance of the legal and regulatory provisions as well as what is indicated in the instruction sheet will be the responsibility of the installer.

[bar]	0.5	0.7	1.0	1.5	2.0	2.5	4.0	6.0
[l/min]	11.40	12.78	13.78	14.27	14.37	14.55	15.04	15.27



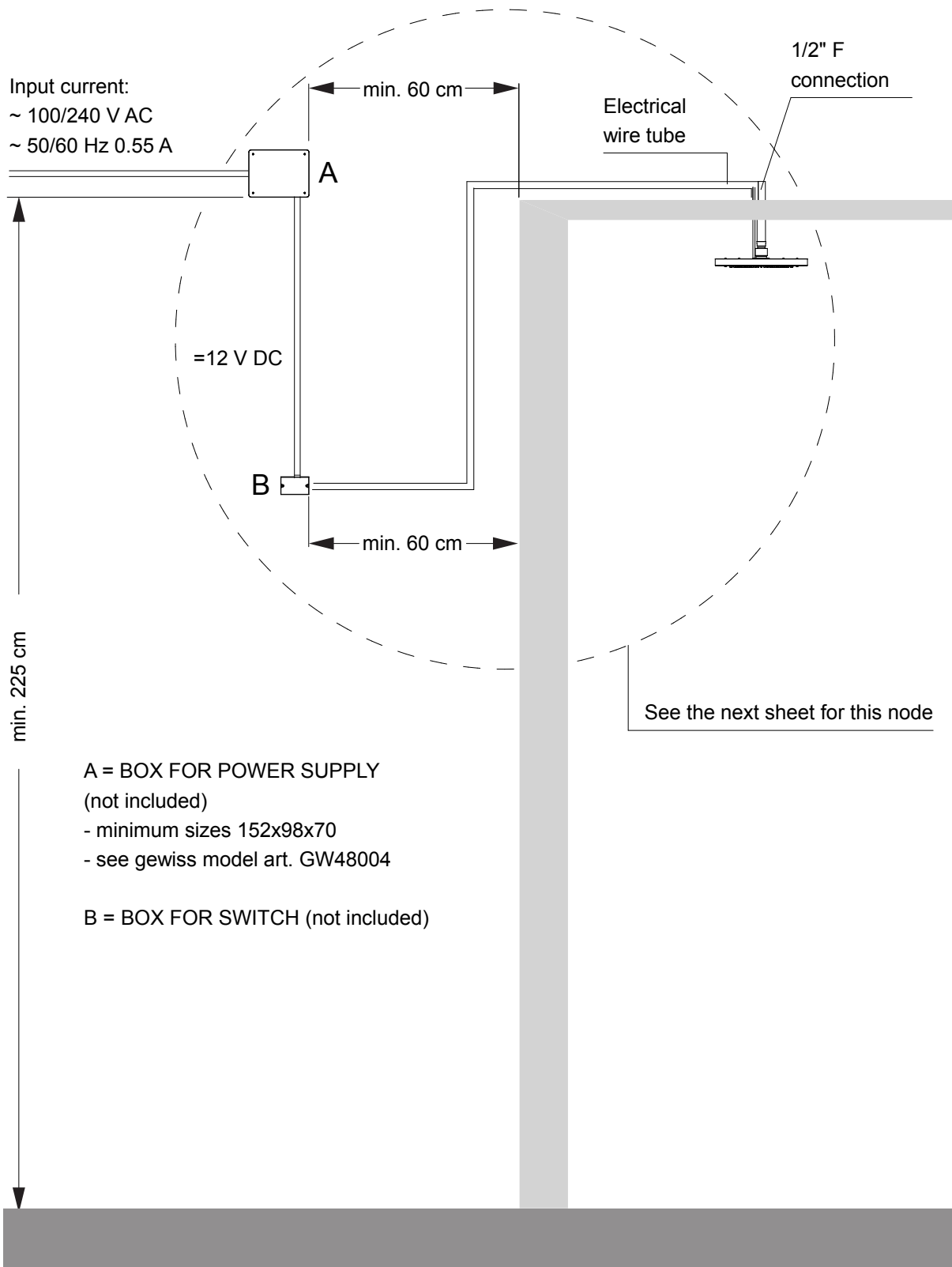
aquatica®

Function, Form & Fashion

Galaxy SQ-270

Built-In Shower Head

INSTALLATION SEQUENCE



Galaxy SQ-270

Built-In Shower Head

INSTALLATION SEQUENCE continued

aquatica®

Function, Form & Fashion

Power Supply:

INPUT: ~ 100/240 V AC

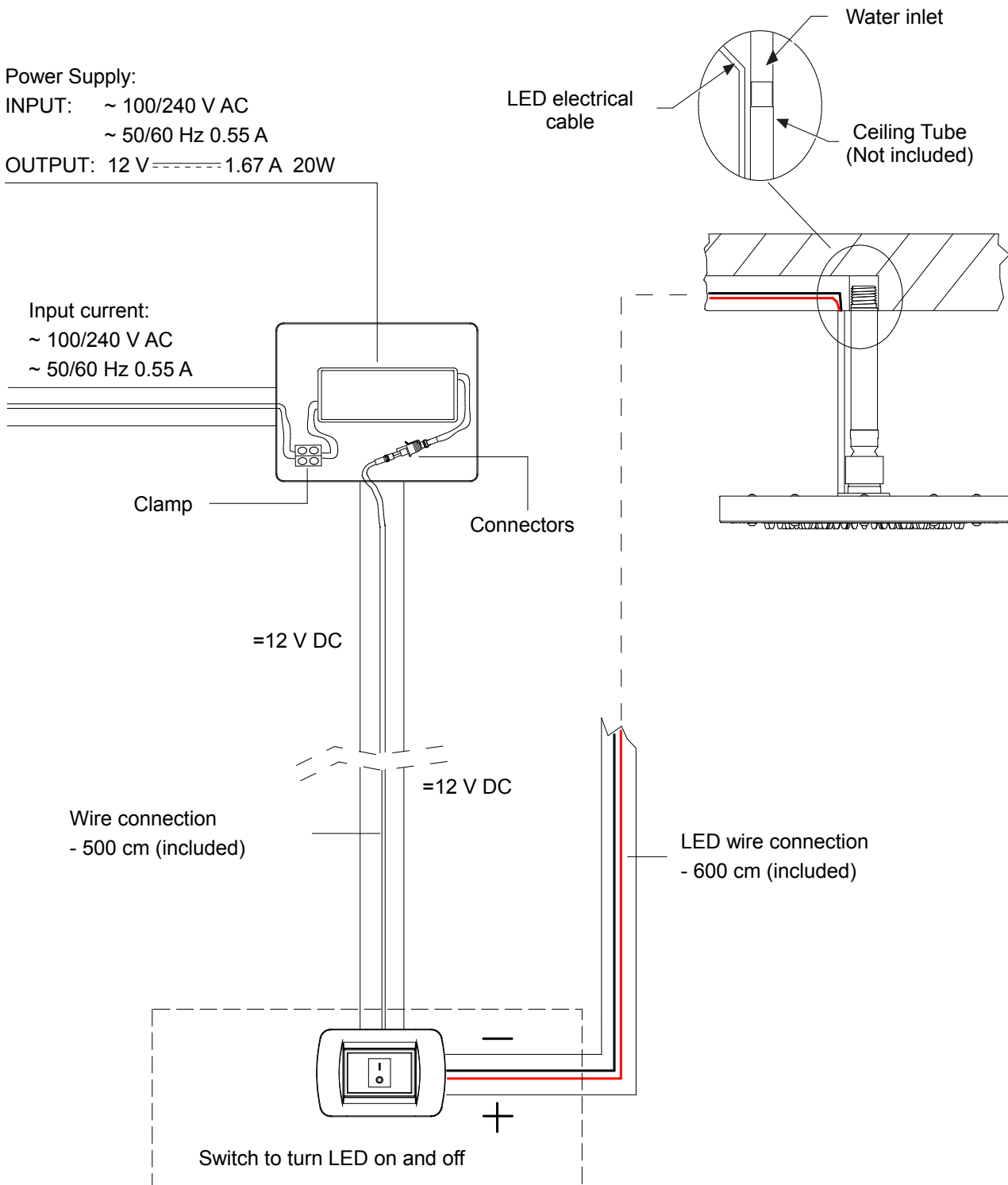
~ 50/60 Hz 0.55 A

OUTPUT: 12 V ----- 1.67 A 20W

Input current:

~ 100/240 V AC

~ 50/60 Hz 0.55 A



ATTENTION !

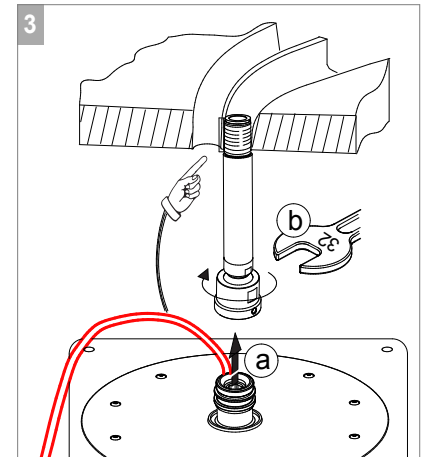
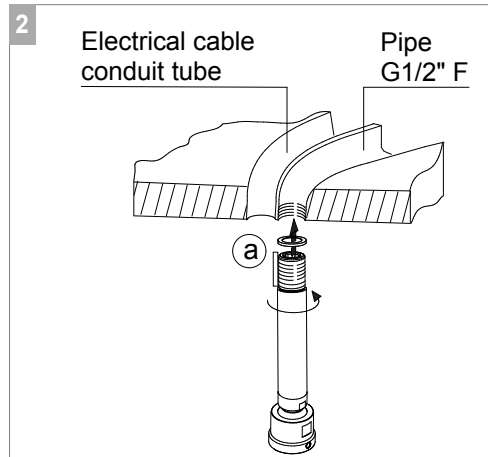
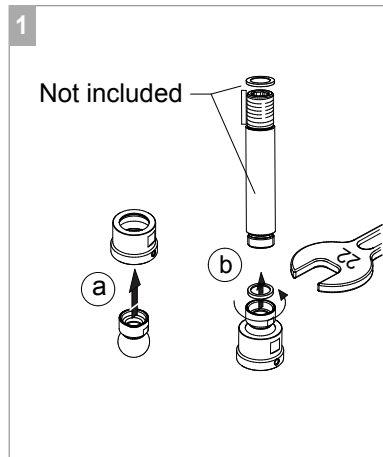
- Never put the (~100/240 V) power supply input wires together in the same conduit pipe with the (=12 V) power supply output wires that are then to be connected to the shower head wires.

aquatica®
Function, Form & Fashion

Galaxy SQ-270

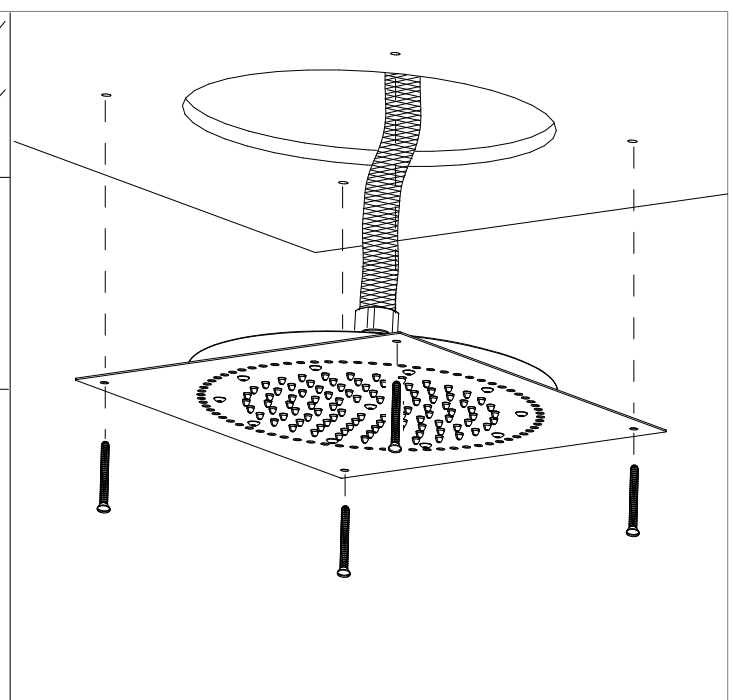
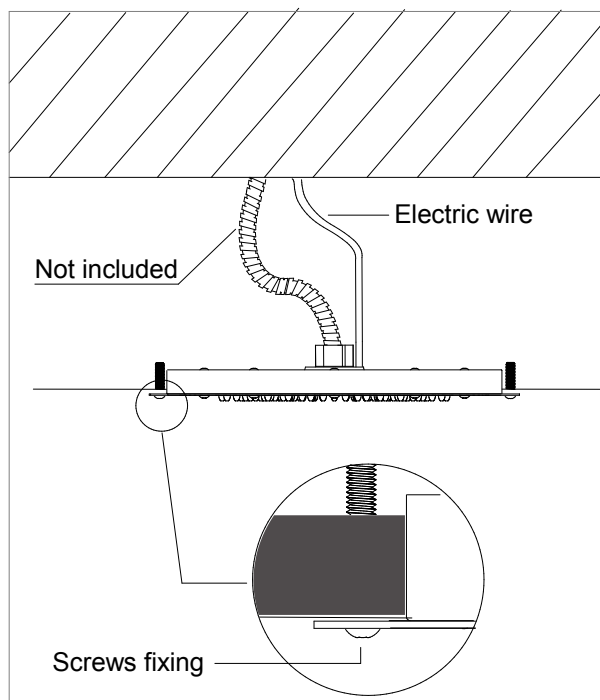
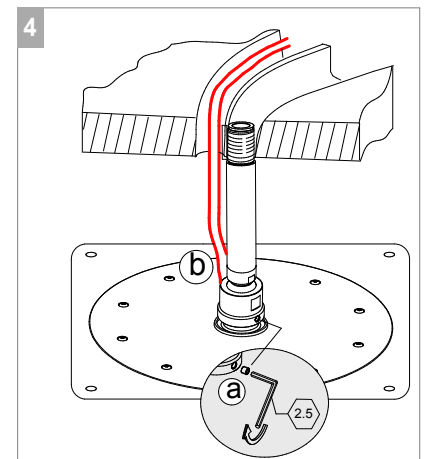
Built-In Shower Head

INSTALLATION SEQUENCE continued



ATTENTION:

- Before attaching the electrical power lines, check and verify the security of the connections and the operation of the shower head.
- The ATTACHMENT of the SHOWER HEAD PANEL to the drop-ceiling panels must guarantee the mechanical solidity of the shower head itself. Attachment is performed by way of screws that are not supplied. It is necessary to provide for an opening in the drop-ceiling panels, near the shower head, which may be used, in the event of maintenance necessities, access to the area above the drop-ceiling itself.



Galaxy SQ-270

Built-In Shower Head

aquatica®

Function, Form & Fashion

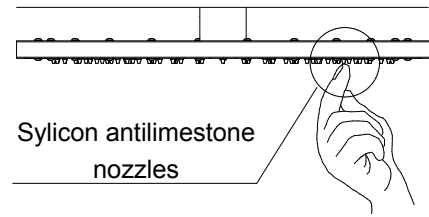
CLEANING AND MAINTENANCE

The correct cleaning of the showerhead has to be done with water and soap, rinsed and dried with a doeskin or a soft cloth. Absolutely do not use alcohol, solvents, solid or liquid containing corrosive or acid substances (hydrochloric, formic, acetic and phosphoric acid), synthetic fibres, cloths, abrasive sponges and plugs with metallic thread, because they could irreversibly alter the treated surfaces.

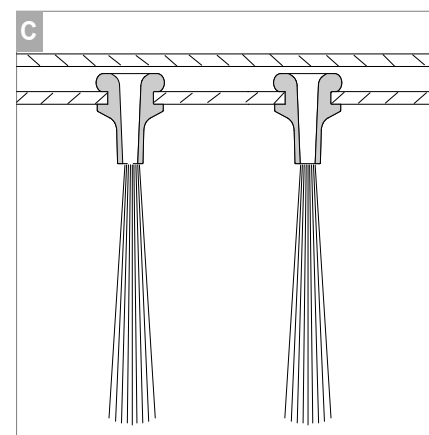
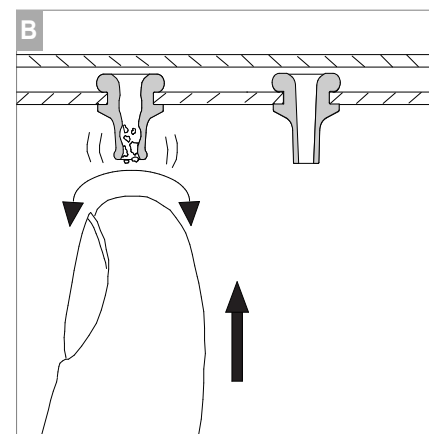
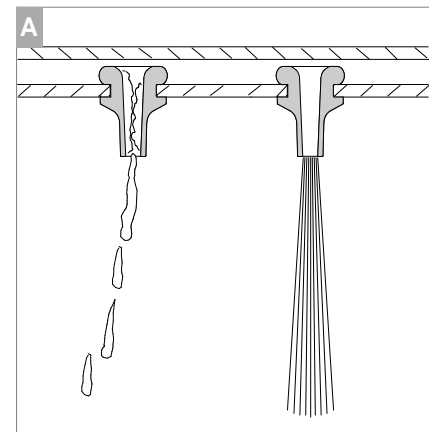
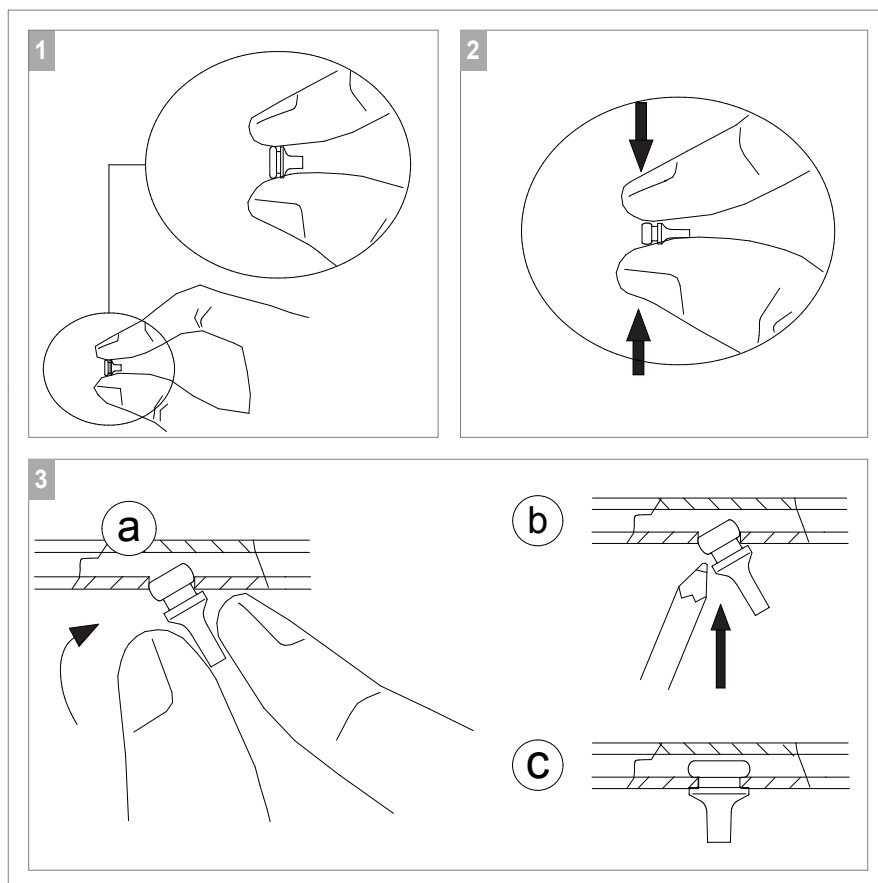
Our devices do not need any particular maintenance with the exception of the periodic cleaning of the rubber part (nozzles) of the shower head, that they

may become locked by formations of limestone just rub with your finger to remove the limestone.

ATTENTION: periodically check the nipples, as an excess of dirt in them may generate extra pressure inside the shower head compromising the operation.



NOZZLES REPLACEMENT



aquatica®

Function, Form & Fashion

aquatica®

Function, Form & Fashion

